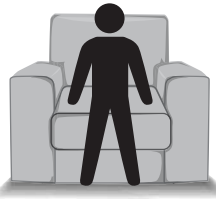
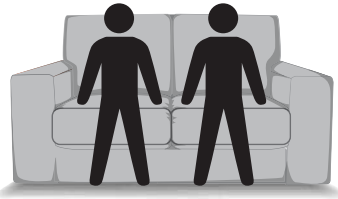


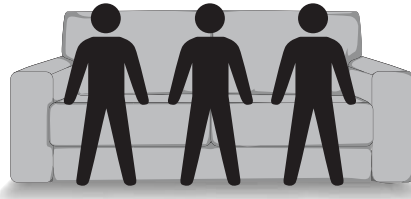
## What size furniture cover should I buy?



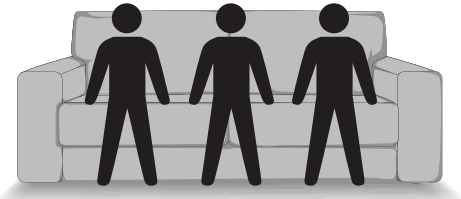
**Chair** (seats 1)  
32 in. to 43 in.



**Loveseat** (seats 2)  
58 in. to 73 in.



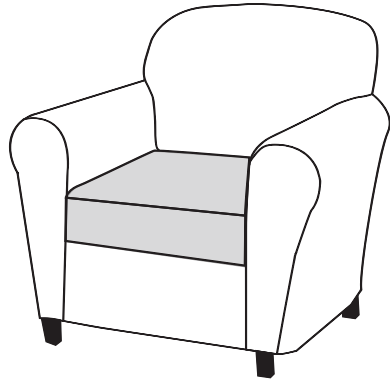
**Petite Sofa** (seats 3 or more)  
74 in. to 82 in.



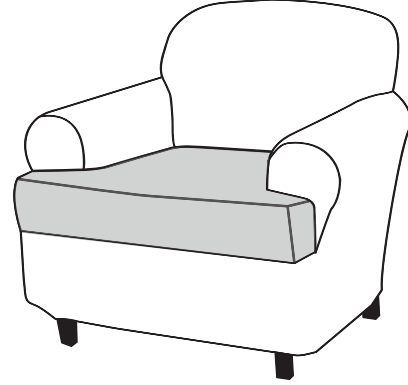
**Sofa** (seats 3 or more)  
74 in. to 96 in.

## What type of seat cushion do I have?

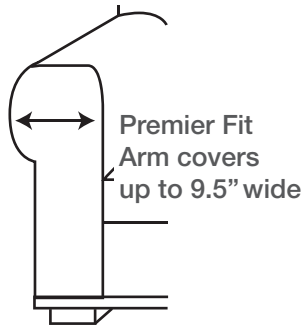
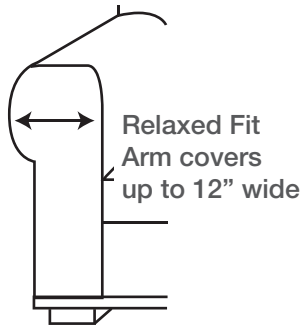
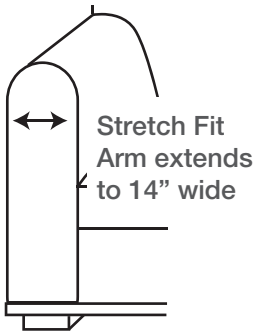
**Box Cushion**



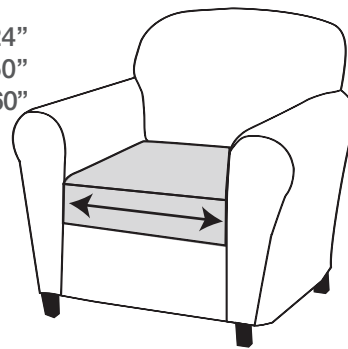
**T-Cushion**



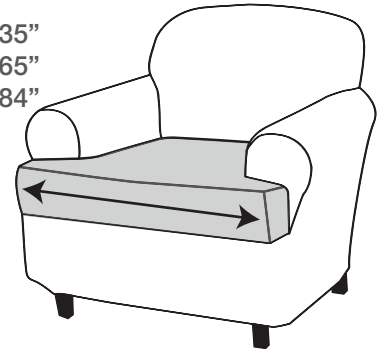
## Relaxed Fit and Stretch Fit Arm and Seat Width Guidelines



Chair - 24"  
Loveseat - 50"  
Petite Sofa - 60"



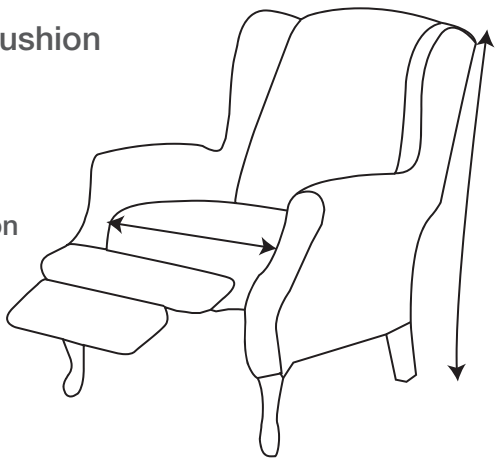
Chair - 35"  
Loveseat - 65"  
Sofa - 84"



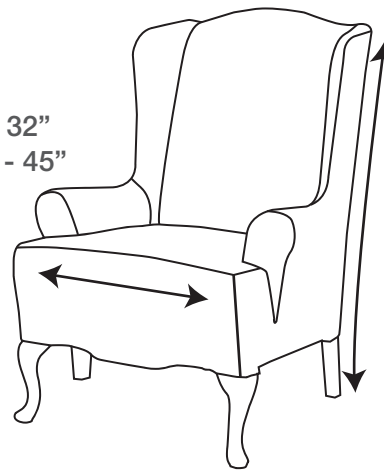
## Wing

**Stretch Fit Box Cushion  
Wing Recliner**  
Seat Width - 24"  
Back Height - 45"

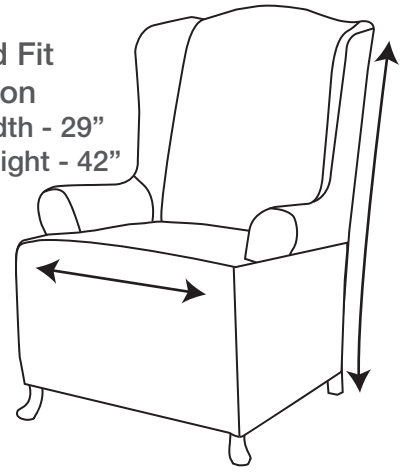
Fits both box cushion  
and wing recliners



**Stretch Fit  
T-Cushion**  
Seat Width - 32"  
Back Height - 45"



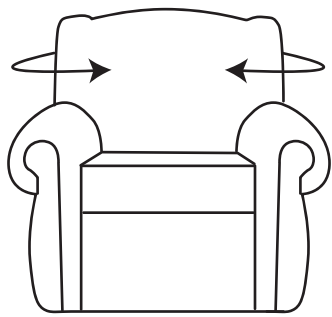
**Relaxed Fit  
T-Cushion**  
Seat Width - 29"  
Back Height - 42"



## Recliners

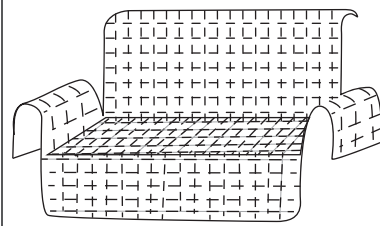
**Sure Fit  
Stretch Fit**  
78" to 88"

around entire back



## Furniture Protector

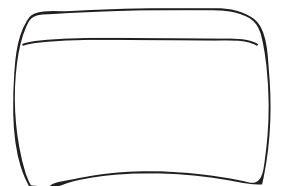
**Chair 24"**  
**Loveseat 48"**  
**Sofa 70"**



**Back Lengths**  
39" and 46"

## Ottomans

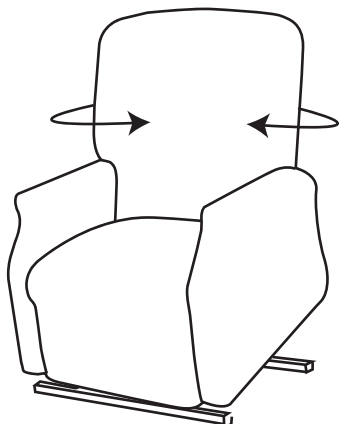
**Stretch Fit - 30"**  
Measure the longest  
side of your ottoman



## Lift Recliners

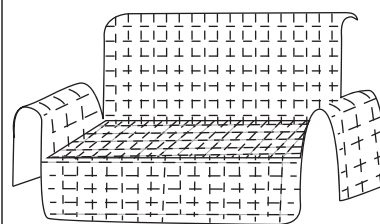
**Medium Sure Fit  
Stretch Fit**  
68" to 78"

around entire back



**Large Sure Fit  
Stretch Fit**  
78" to 92"

**Chair 26"**  
**Loveseat 52"**  
**Sofa 76"**



**Back Length 50"**  
(longer arm length)